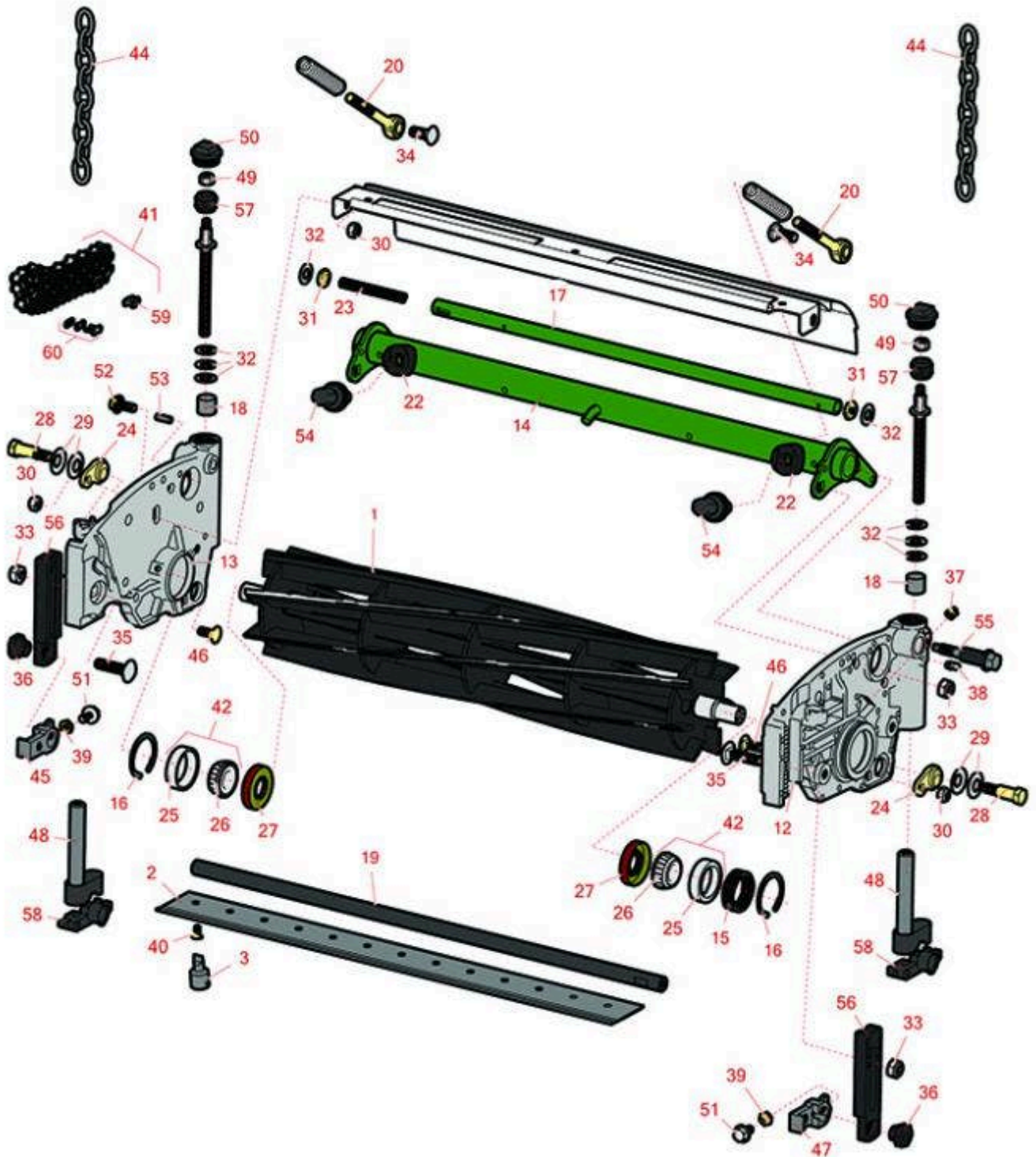




Replaces John Deere 225 E-Cut Walking Greens Mower Parts

Cutting Unit
Reel & Bedknife



All original equipment manufacturers names and part numbers are used for identification purposes only, and we are in no way implying that our products are original equipment parts. Prices subject to change without notice.



Replaces John Deere 225 E-Cut Walking Greens Mower Parts

Cutting Unit
Reel & Bedknife



Item No	R&R Part No.	OEM Part No.	Description	Qty Req	Order Quantity
---------	--------------	--------------	-------------	---------	----------------

R&R Reels, Lifetime Guaranteed

1	RTCA19350	TCA19350	Reel - 7 Blade	1
---	------------------	----------	----------------	---

Detail Description: R&R Reel blades are expertly crafted from premium high carbon-boron alloy steel, heat-treated to perfectly complement both R&R and OEM bedknives. Each reel undergoes precision cylindrical grinding on bearing surfaces, followed by relief grinding for optimal performance. Advanced computer balancing ensures extended reel and bearing life. Backed by our lifetime guarantee against defects in materials and craftsmanship under normal use, R&R Reels deliver unmatched durability and cutting precision you can trust.:

1	R130250	TCA23621	Reel - 14 Blade	1
---	----------------	----------	-----------------	---

Detail Description: R&R Reel blades are expertly crafted from premium high carbon-boron alloy steel, heat-treated to perfectly complement both R&R and OEM bedknives. Each reel undergoes precision cylindrical grinding on bearing surfaces, followed by relief grinding for optimal performance. Advanced computer balancing ensures extended reel and bearing life. Backed by our lifetime guarantee against defects in materials and craftsmanship under normal use, R&R Reels deliver unmatched durability and cutting precision you can trust.:

1	RTCA19351	TCA19351	Reel - 11 Blade	1
---	------------------	----------	-----------------	---

Detail Description: R&R Reel blades are expertly crafted from premium high carbon-boron alloy steel, heat-treated to perfectly complement both R&R and OEM bedknives. Each reel undergoes precision cylindrical grinding on bearing surfaces, followed by relief grinding for optimal performance. Advanced computer balancing ensures extended reel and bearing life. Backed by our lifetime guarantee against defects in materials and craftsmanship under normal use, R&R Reels deliver unmatched durability and cutting precision you can trust.:

1	R130239		Reel - 9 Blade with Internal Splines	1
---	----------------	--	--------------------------------------	---

Detail Description: R&R Reel blades are expertly crafted from premium high carbon-boron alloy steel, heat-treated to perfectly complement both R&R and OEM bedknives. Each reel undergoes precision cylindrical grinding on bearing surfaces, followed by relief grinding for optimal performance. Advanced computer balancing ensures extended reel and bearing life. Backed by our lifetime guarantee against defects in materials and craftsmanship under normal use, R&R Reels deliver unmatched durability and cutting precision you can trust.:

R&R Bedknives, Lifetime Guaranteed

2	RET17767	ET17767, UC23562	Bedknife - High Cut 5/16	1
---	-----------------	---------------------	--------------------------	---

All original equipment manufacturers names and part numbers are used for identification purposes only, and we are in no way implying that our products are original equipment parts. Prices subject to change without notice.



Replaces John Deere 225 E-Cut Walking Greens Mower Parts

Cutting Unit
Reel & Bedknife



Item No	R&R Part No.	OEM Part No.	Description	Qty Req	Order Quantity
---------	--------------	--------------	-------------	---------	----------------

Detail Description: R&R Bedknives are manufactured from high carbon-boron alloy steel and then hardened to RC46-49 to match the temper of our reel blades and original equipment reels. Bedknives are surface ground on the top and front edge and straightened three times before being packaged with oil for rust prevention. All R&R Bedknives now have an increased front edge grind for added life. All R&R Bedknives are guaranteed against defects in material and workmanship under normal use for the life of the part.:

2	RET17533	ET14402, ET17533, ET17767, MT4869, MT7351, UC18873	Bedknife - 22in Standard- .126 Min. HOC	1	
---	-----------------	---	--	---	--

Detail Description: R&R Bedknives are manufactured from high carbon-boron alloy steel and then hardened to RC46-49 to match the temper of our reel blades and original equipment reels. Bedknives are surface ground on the top and front edge and straightened three times before being packaged with oil for rust prevention. All R&R Bedknives now have an increased front edge grind for added life. All R&R Bedknives are guaranteed against defects in material and workmanship under normal use for the life of the part.:

2	RMT7351	ET17489, MT7351, UC19154, UC28163	Bedknife - 22in Lo-Cut .079 Min. HOC	1	
---	----------------	--	---	---	--

Detail Description: R&R Bedknives are manufactured from high carbon-boron alloy steel and then hardened to RC46-49 to match the temper of our reel blades and original equipment reels. Bedknives are surface ground on the top and front edge and straightened three times before being packaged with oil for rust prevention. All R&R Bedknives now have an increased front edge grind for added life. All R&R Bedknives are guaranteed against defects in material and workmanship under normal use for the life of the part.:

R&R Razor Tool Steel Bedknives, Lifetime Guaranteed

2	R130130		Bedknife - Razor Tool Steel - 22 High Cut	1	
---	----------------	--	--	---	--

Detail Description: R&R Razor bedknives are manufactured from premium alloy tool steel steel and then hardened to RC48-51 to match the temper of our Razor reel blades and original equipment premium series reels. Bedknives are surface ground on the top and front edge and specially packaged for rust prevention. All R&R Bedknives now have an increased front edge grind for added life. All R&R Bedknives are guaranteed against defects in material and workmanship under normal use for the life of the part. You can expect up to double the life over standard bedknives.:

All original equipment manufacturers names and part numbers are used for identification purposes only, and we are in no way implying that our products are original equipment parts. Prices subject to change without notice.



Replaces John Deere 225 E-Cut Walking Greens Mower Parts

Cutting Unit
Reel & Bedknife



Item No	R&R Part No.	OEM Part No.	Description	Qty Req	Order Quantity
---------	--------------	--------------	-------------	---------	----------------

2	R130115		Bedknife - Razor Tool Steel - 22 Micro Cut	1	
---	----------------	--	--	---	--

Detail Description: R&R Razor bedknives are manufactured from premium alloy tool steel steel and then hardened to RC48-51 to match the temper of our Razor reel blades and original equipment premium series reels. Bedknives are surface ground on the top and front edge and specially packaged for rust prevention. All R&R Bedknives now have an increased front edge grind for added life. All R&R Bedknives are guaranteed against defects in material and workmanship under normal use for the life of the part. You can expect up to double the life over standard bedknives.:

2	R130116	MT4846, UC18877	Bedknife - Razor Tool Steel - 22 Tournament Cut	1	
---	----------------	--------------------	---	---	--

Detail Description: R&R Razor bedknives are manufactured from premium alloy tool steel steel and then hardened to RC48-51 to match the temper of our Razor reel blades and original equipment premium series reels. Bedknives are surface ground on the top and front edge and specially packaged for rust prevention. All R&R Bedknives now have an increased front edge grind for added life. All R&R Bedknives are guaranteed against defects in material and workmanship under normal use for the life of the part. You can expect up to double the life over standard bedknives.:

2	RTC36165	TCU36165	Bed Knife - Razor Tool Steel 22 - Low Cut	1	
---	-----------------	----------	---	---	--

Service Tools

3	R101278T		Bedknife Screw Driver Tool	1	
---	-----------------	--	----------------------------	---	--

Tech Note: Easily install and remove bed knife screws with the help of a ratchet. Tool manufactured with hardened alloy steel.:

Detail Description: Easily install and remove bed knife screws with the help of a ratchet. Tool manufactured with hardened alloy steel.:

Other Parts Available

12	RTC35637	TCU24427, TCU35637	Panel - LH	1	
----	-----------------	-----------------------	------------	---	--

13	RTC35638	TCU24426, TCU35638	Panel - RH	1	
----	-----------------	-----------------------	------------	---	--

14	RAUC13891	AUC13891, TCA18291	Frame	1	
----	------------------	-----------------------	-------	---	--

All original equipment manufacturers names and part numbers are used for identification purposes only, and we are in no way implying that our products are original equipment parts. Prices subject to change without notice.



Replaces John Deere 225 E-Cut Walking Greens Mower Parts

Cutting Unit
Reel & Bedknife



Item No	R&R Part No.	OEM Part No.	Description	Qty Req	Order Quantity
15	RTC23880	TCU23880, TCU28964	Compression Spring - Reel Bearing	1	
16	R40M7226	40M1862, 40M7226	Ring - Retaining	2	
17	RTC26729	TCU26729	Tube	1	
18	RMT74	MT74	Bushing - Roller Bkt	2	
19	RUC13425	UC13425	Rod - Hardened	1	
20	RTC25223	TCU25223, TCU30798	Spherical Rod End	2	
22	RTC25394	TCU25394, TCU27453	Base	2	
23	RTC25398	TCU25398	Compression Spring	1	
24	RTC24334	TCU24334	Retainer	2	
25	R254-79	JD8226	Cup - Bearing	2	
<i>Detail Description: Use R254-79M installation mandrel to properly install race.:</i>					
26	R254-78	JD8188	Tapered Bearing Cone	2	
27	RET14566	ET14566	Seal - Reel	2	
28	RMT3016	MT3016	Bolt - Bed Bar	2	
29	RN168012	N168012	Washer - Spring	4	
30	RH137328	H137328	Locknut	4	
31	R14M7152	14M7152	Nut - 10mm x 1.5 Jam	2	
32	RET16679	ET16679	Washer - Spring	8	
33	R14M7517	14M7517	Locknut - 10mm x 1.5 ESNA	4	
34	R03M7191	03M7191	Bolt - Carriage M10 x 25	4	

All original equipment manufacturers names and part numbers are used for identification purposes only, and we are in no way implying that our products are original equipment parts. Prices subject to change without notice.



Replaces John Deere 225 E-Cut Walking Greens Mower Parts

Cutting Unit
Reel & Bedknife



Item No	R&R Part No.	OEM Part No.	Description	Qty Req	Order Quantity
35	R03M7194	03M7194	Bolt	2	
36	RTC28635	TCU24555, TCU28635	Eccentric	2	
37	R170714	E14814	Fitting - Pressure Relief	2	
38	R302-5	JD7797, JD7842, JD7844	Fitting - Grease	2	
39	R14M7151	14M7151	Nut - Jam Roller Adj	2	
40	R101278	21M7194	Screw - Bedknife	13	
41	RTCA16595	TCA16595	Chain - Rear Roller	1	
42	R500534		Bearing - with Cup	2	
<i>Detail Description: Kit includes: 1 ea R254-78- Bearing Cone & R254-79 Bearing Cone:</i>					
44	RAMT1479	AMT1479	Chain - Link	2	
45	RUC16109	TCU24461, UC16109	Bracket - RH	1	
46	R03M7184	03M7184	Bolt - Carriage M8	2	
47	RUC18211	TCU24461, UC18211	Bracket - LH	1	
48	RAUC13512	AUC13512, TCA18706	Adjuster	2	
49	RM148268	M148268	Lock Nut	2	
50	RUC16102	TCU24949, UC16102	Cap	2	
51	R33114-016	19M7162	Bolt - Hx HD 8mm x 1.25 x 15	2	
52	R19M7866	19M7866	Bolt - Flanged Hex M8-1.25 x 20	2	

All original equipment manufacturers names and part numbers are used for identification purposes only, and we are in no way implying that our products are original equipment parts. Prices subject to change without notice.



Replaces John Deere 225 E-Cut Walking Greens Mower Parts

*Cutting Unit
Reel & Bedknife*



Item No	R&R Part No.	OEM Part No.	Description	Qty Req	Order Quantity
53	RR30587	30587, R30587	Pin - Dowell 1/4 Dia. x .75	4	
54	RUC16137	TCU24955, UC16137	Adjuster	2	
55	RTC26458	TCU26458	Worm Gear	2	
56	RUC16108	TCU24460, UC16108	Bracket	2	
57	RTC40491	TCU24683, TCU40491	Worm Gear	2	
58	RUC22218	UC22218	Half Clamp	2	
59	RSW35OLUS	SW35OLUS	Chain Link - Offset #35	0	
60	RSW35COUS	SW35COUS	Chain Link - Coupler #35	0	

All original equipment manufacturers names and part numbers are used for identification purposes only, and we are in no way implying that our products are original equipment parts. Prices subject to change without notice.