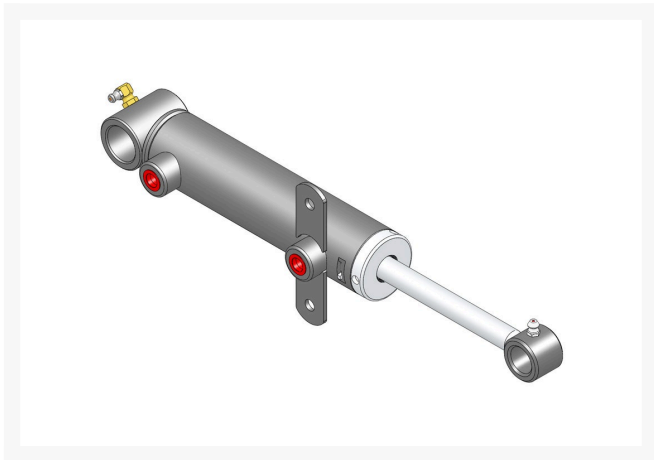




# Hydraulic Cylinder

R107-2033



## Replaces

R&R Products	R110-9033
Toro	107-2033, 110-9033

## Specifications

Manufacturer	R&R Products
--------------	--------------

## Fits Models

- R&R Products Reel Max 544D
- R&R Products Reel Max 744D
- R&R Products Reel Max 744LP
- Toro Reelmaster 5210-D
- Toro Reelmaster 5410-D
- Toro Reelmaster 5410G
- Toro Reelmaster 5510-D
- Toro Reelmaster 5610-D

## Replacement Parts

R110-6460	Seal Kit - Fits R107-2033 & R107-2034 Cyl
R302-5	Fitting - Grease
R302-60	Zerk - Grease 90 Deg.

## TURF Handels GmbH

Am Hartboden 48 Gratkorn, 8101  
+43 3124 29064-17

<https://turf.rrproducts.com/>