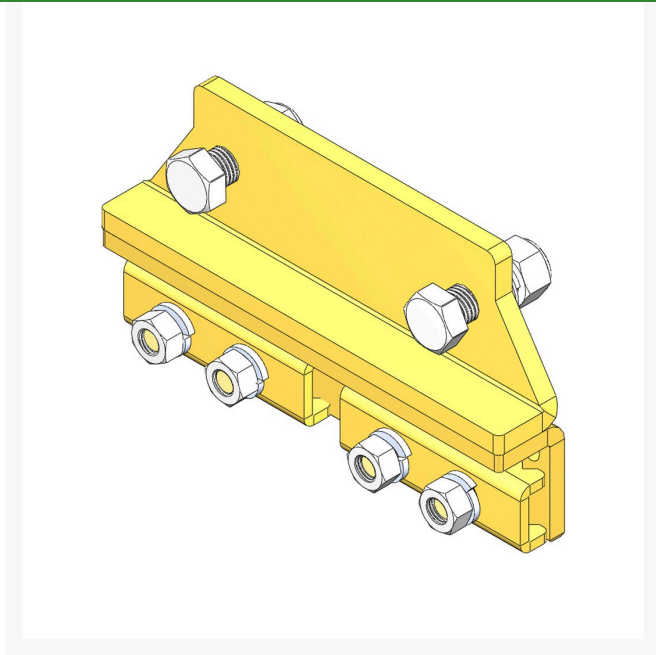




Needle Tine Holder - 6 Tine 5mm Mt

R09720



Replaces

R&R Products	R104-0976
Toro	09720, 104-0976

Specifications

Manufacturer	R&R Products
--------------	--------------

Fits Models

Toro ProCore 440
Toro ProCore 660
Toro ProCore 880

Replacement Parts

R104-0972	Clamp - 6 Tine 5mm Mt 2 Req
R104-9914	Nut - Hex 12mm x 1.5
R3253-7	Washer - Lock 1/2
R33028-00	Locknut - 16mm x 2.0 ESNA
R33098-00	Flatwasher - 16mm
R33118-045	Bolt - Hex HD M16-2.0 x 45

TURF Handels GmbH

Am Hartboden 48 Gratkorn, 8101
+43 3124 29064-17

<https://turf.rrproducts.com/>