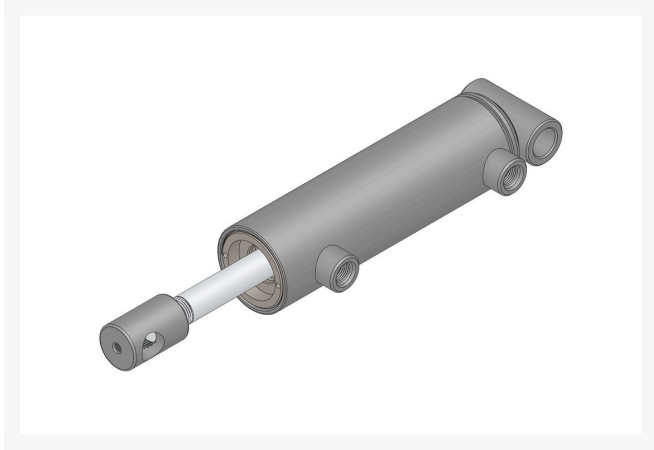




Hydraulic Cylinder

R112-9916



Replaces

R&R Products	R108-9033
Toro	108-9033, 112-9916

Specifications

Manufacturer	R&R Products
--------------	--------------

Fits Models

- R&R Products Reel Max 331D
- R&R Products Reel Max 331LP
- Toro Groundsmaster 3500-D
- Toro Groundsmaster 3500-G
- Toro Groundsmaster 3505-D
- Toro Reelmaster 3100-D
- Toro Reelmaster 3105-D

Replacement Parts

R302-5	Fitting - Grease
R3220-7	Nut - 3/4-16 Jam Zinc

TURF Handels GmbH

Am Hartboden 48 Gratkorn, 8101
+43 3124 29064-17

<https://turf.rrproducts.com/>