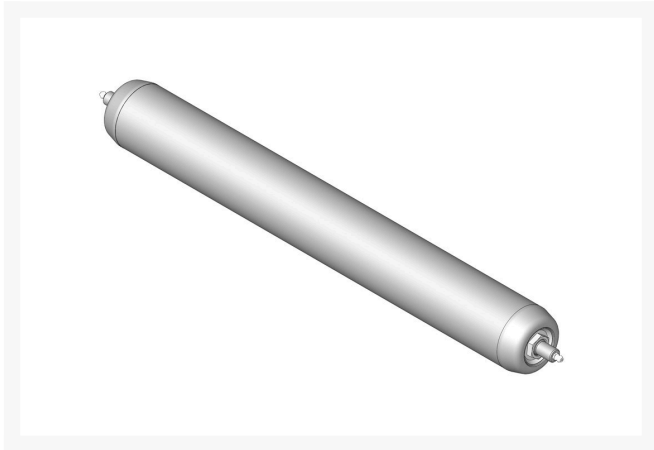




# Roller - Smooth Tubular Steel

R114-5412



## Details

Constructed with a through shaft, this heavy-duty roller uses greasable stainless ball bearings. (2008 & Up)

## Replaces

R&R Products	114-5412
Toro	114-5412

## Specifications

Manufacturer	R&R Products
Overhaul Kit No.	R114-5430
Roller Body Diameter	3 in
Weight (lbs)	18 lb

## Fits Models

- R&R Products Reel Max 544D
- R&R Products Reel Max 744D
- Toro Reelmaster 3550-D
- Toro Reelmaster 3555-D
- Toro Reelmaster 3575-D
- Toro Reelmaster 5010-H
- Toro Reelmaster 5210-D
- Toro Reelmaster 5410-D
- Toro Reelmaster 5410G
- Toro Reelmaster 5510-D
- Toro Reelmaster 5510-G
- Toro Reelmaster 5610-D
- Toro Reelmaster 6500D
- Toro Reelmaster 6700D

## TURF Handels GmbH

Am Hartboden 48 Gratkorn, 8101  
+43 3124 29064-17

<https://turf.rrproducts.com/>



# Roller - Smooth Tubular Steel

R114-5412



## Replacement Parts

R114-5430	Overhaul Kit - Roller
R114-5403	Shaft - Front Roller
R114-3717	Seal
R112-5290	Bearing - Stainless
R112-7494	Seal
R114-3745	Locknut - Bearing - Stainless
R302-5	Fitting - Grease

**TURF Handels GmbH**

Am Hartboden 48 Gratkorn, 8101  
+43 3124 29064-17

<https://turf.rrproducts.com/>