



# Shurflo Check Valve Kit - Viton

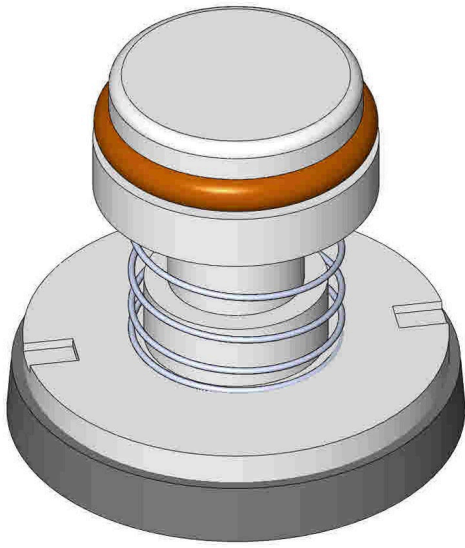
RHY94-374-05



## Specifications

Manufacturer

Pentair Shurflo



**TURF Handels GmbH**

Am Hartboden 48 Gratkorn, 8101  
+43 3124 29064-17

<https://turf.rrproducts.com/>