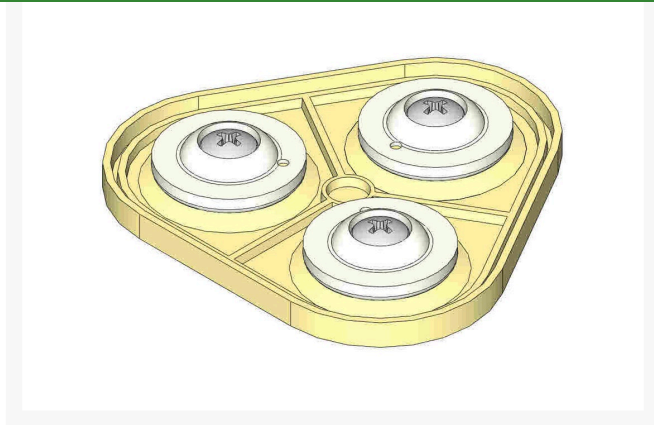




Shurflo Pressure Switch Kit - Viton

RHY94-375-05



Details

Standard pump 60 psi Demand Switch 1.8 GPM To
Fit: RHY8000-543-236

Specifications

Manufacturer

Pentair Shurflo

TURF Handels GmbH

Am Hartboden 48 Gratkorn, 8101

+43 3124 29064-17

<https://turf.rrproducts.com/>