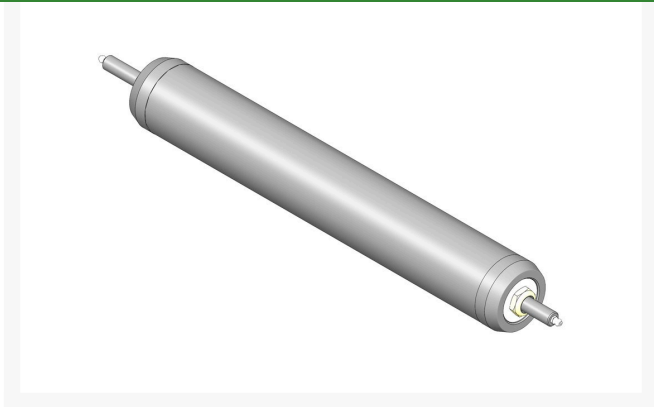




Roller - Smooth Tubular Steel

R150745



Details

Constructed with a through shaft, this heavy duty roller uses greasable tapered bearings for extended life. Shaft length measures 24-1/4" and body length measures 20".

Specifications

Manufacturer	R&R Products
Roller Body	3 in
Diameter	
Weight (lbs)	15 lb

Replacement Parts

R150504	Washer
R150713	Shaft - Fits RR Rear Roller
R150726	Roller End - Solid 3
R253-117	Seal - Outer Triple Lip
R253-152	Seal - Inner Roller
R254-78	Tapered Bearing Cone
R254-79	Cup - Bearing
R302-5	Fitting - Grease
R3296-15	Locknut - 3/4-16 Nylon Jam
R5-4038	Sleeve - Wear Reel Shaft

TURF Handels GmbH

Am Hartboden 48 Gratkorn, 8101
+43 3124 29064-17

<https://turf.rrproducts.com/>