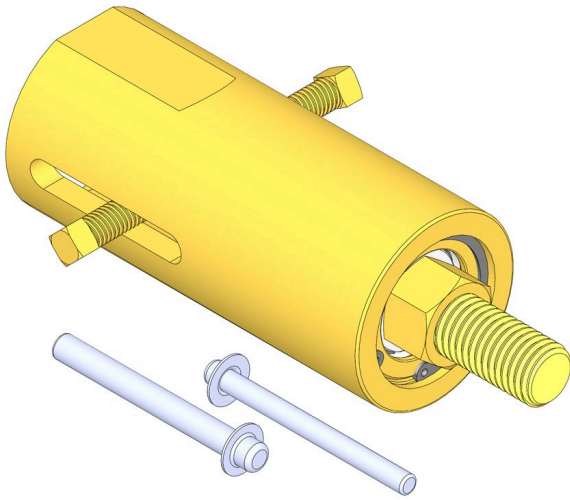




# Bearing Puller

## R245



### Details

R&R "Water Pump Style" Bearing Puller fits R&R Part Numbers R101481, R101482, R21-6410, R21-8430, R52-3180, R52-3120, R311839, R361850, R75-1290, RAET10129.

- Fits 10 listed R&R bearings

### Replaces

R&R Products R200

### Specifications

Manufacturer R&R Products

### Replacement Parts

R205	Pin - Hardened
R208	Pin - Hardened 1/4 x 3
R233	Bearing Puller Nut - Hardened
R246	Stud - Puller
R247	Tube - Outer Assy 5-1/2
R248	Screw - Set Sq Head

**TURF Handels GmbH**

Am Hartboden 48 Gratkorn, 8101

+43 3124 29064-17

<https://turf.rrproducts.com/>