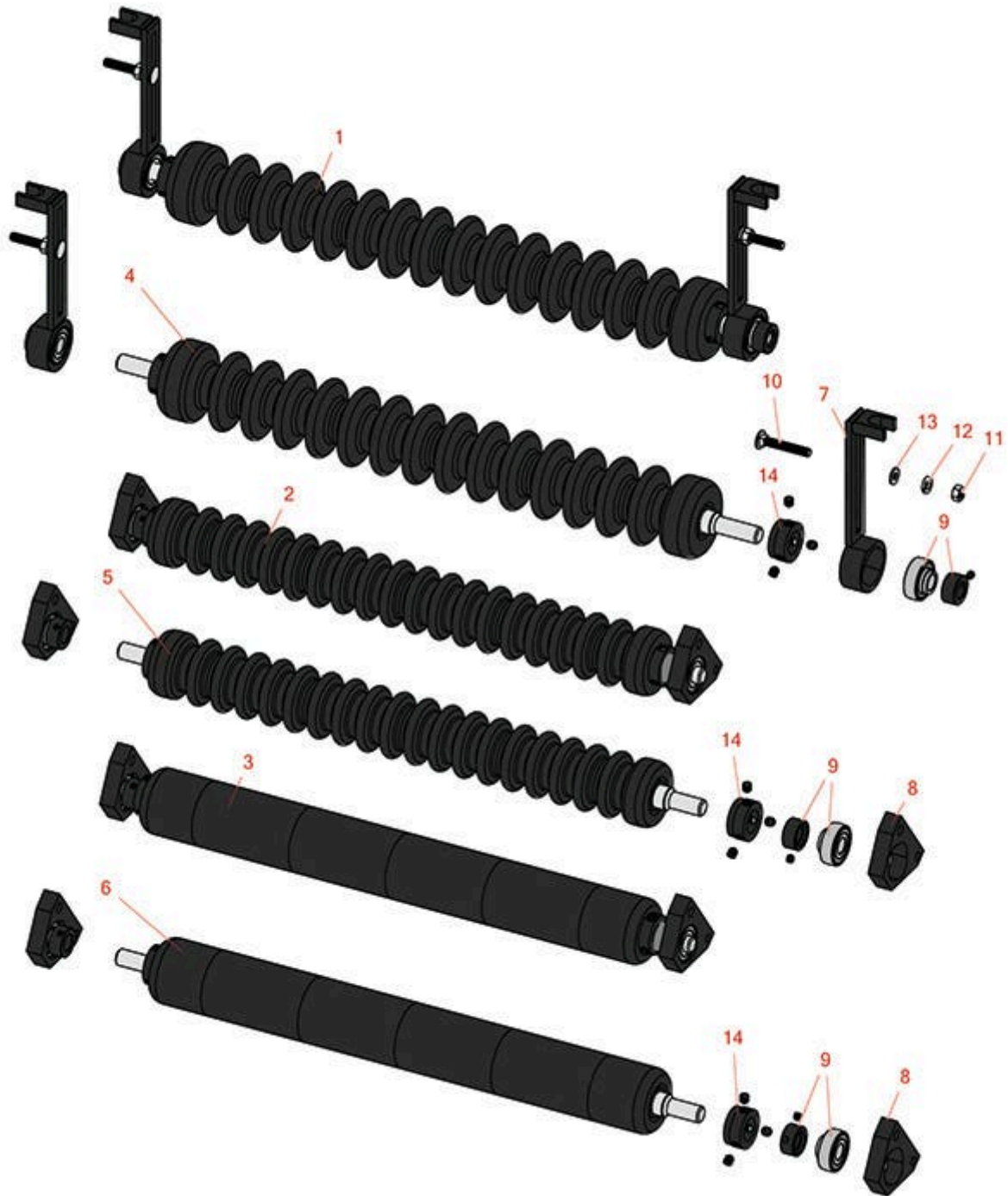
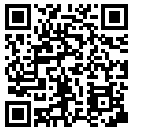




Replaces Jacobsen LF-4677 Parts

7" Reel Cutting Unit
Minuteman Roller System



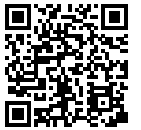
All original equipment manufacturers names and part numbers are used for identification purposes only, and we are in no way implying that our products are original equipment parts. Prices subject to change without notice.



Replaces Jacobsen LF-4677 Parts

7" Reel Cutting Unit

Minuteman Roller System



Item R&R
No Part No.

OEM
Part No.

Description

Qty
Req

Order
Quantity

Complete Minuteman Roller Systems

1	RMJ3301		Minuteman Front Grooved Roller System	0
---	----------------	--	---------------------------------------	---

Tech Note: Complete roller systems include roller, two brackets with bearings and mounting hardware.:

2	RMJ3302		Minuteman Rear Grooved Roller System	0
---	----------------	--	--------------------------------------	---

Tech Note: Complete roller systems include roller, two brackets with bearings and mounting hardware.:

3	RMJ3303		Minuteman Rear Smooth Roller System	0
---	----------------	--	-------------------------------------	---

Tech Note: Complete roller systems include roller, two brackets with bearings and mounting hardware.:

Minuteman Rollers Only

4	RM528		Minuteman Grooved Roller Only	0
---	--------------	--	-------------------------------	---

Tech Note: Use with Minuteman Roller Bracket System Only:

5	RM515		Minuteman Grooved Roller Only	0
---	--------------	--	-------------------------------	---

Tech Note: Use with Minuteman Roller Bracket System Only:

6	RM516		Minuteman Smooth Roller Only	0
---	--------------	--	------------------------------	---

Tech Note: Use with Minuteman Rollers Bracket System Only:

Other Parts Available

7	RJ121A		Bracket - Front LH/RH Extended	2
---	---------------	--	--------------------------------	---

8	RJ133		Bracket - Rear	2
---	--------------	--	----------------	---

9	RMMB157		Bearing w/Locking Collar	2
---	----------------	--	--------------------------	---

10	RMM602		Bolt - Carriage 5/16-18 x 2 Gr 5	2
----	---------------	--	----------------------------------	---

11	RMM603		Nut - Hex 5/16-18	2
----	---------------	--	-------------------	---

12	R446136	446134, 446136	Washer - Lock 5/16 Zinc	2
----	----------------	-------------------	-------------------------	---

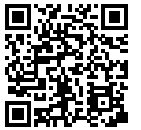
All original equipment manufacturers names and part numbers are used for identification purposes only, and we are in no way implying that our products are original equipment parts. Prices subject to change without notice.



Replaces Jacobsen LF-4677 Parts

7" Reel Cutting Unit

Minuteman Roller System



Item No	R&R Part No.	OEM Part No.	Description	Qty Req	Order Quantity
13	R453009	3256-23, 452004, 452006, 452008, 453009	Washer - Flat 5/16 SAE	2	
14	RMM3		End Hub - 7/8 ID	2	

All original equipment manufacturers names and part numbers are used for identification purposes only, and we are in no way implying that our products are original equipment parts. Prices subject to change without notice.