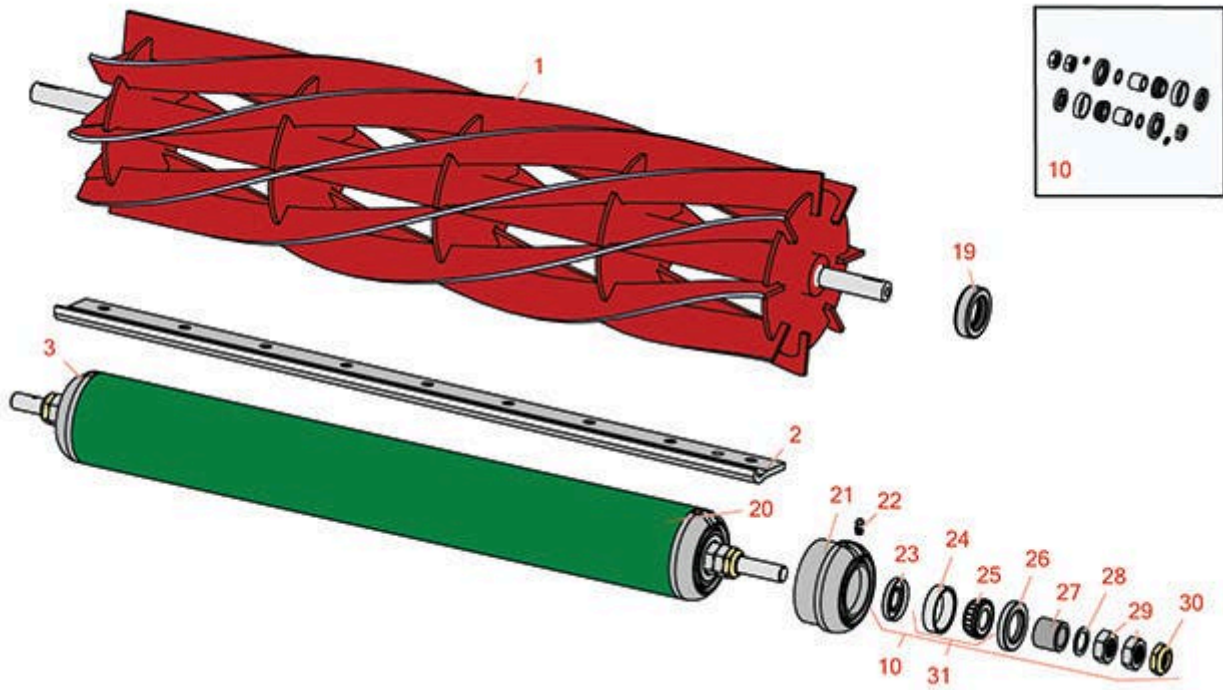




# Replaces Roxy Reel Mower Parts

Cutting Unit  
Reel & Bedknife



All original equipment manufacturers names and part numbers are used for identification purposes only, and we are in no way implying that our products are original equipment parts. Prices subject to change without notice.



# Replaces Roxy Reel Mower Parts

Cutting Unit  
Reel & Bedknife



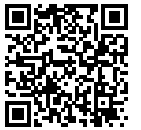
Item No	R&R Part No.	OEM Part No.	Description	Qty Req	Order Quantity
1	RT-38-8	1	Reel - 8 Blade	0	
<b>R&amp;R Reels, Lifetime Guaranteed</b>					
1	RT-38-6	1	Reel - 6 Blade	0	
<b>R&amp;R Bedknives, Lifetime Guaranteed</b>					
2	RT-420RR	1	Bedknife	0	
<b>Rollers</b>					
3	RL-30A	1	Roller - Green Fits Roxy	0	
<b>Overhaul Kits</b>					
10	R100165		Overhaul Kit - Roller	0	
<i>Tech Note: Includes 2 ea.: R253-117 Seals, R253-122 Seals, R254-78 Bearings, R254-79 Bearing Cups, R302-5 Grease Fittings, R3220-7 Nuts, R47-7510 Washers, R5-4523 Sleeves; 1 ea.: R3296-15 Locknut:</i>					
<b>Other Parts Available</b>					
19	R203003	2	Seal - Fits Roxy Turf Reel	0	
20	R5-3940	1	Tube - Roller	0	
21	R4-5659	2	Roller End	0	
22	R302-5	2	Fitting - Grease	0	
23	R253-122	2	Seal	0	
24	R254-79	2	Cup - Bearing	0	
<i>Tech Note: Use R254-79M installation mandrel to properly install race.:</i>					
25	R254-78	2	Tapered Bearing Cone	0	
26	R253-117	2	Seal - Outer Triple Lip	0	
27	R5-4523	2	Sleeve - Roller	0	

All original equipment manufacturers names and part numbers are used for identification purposes only, and we are in no way implying that our products are original equipment parts. Prices subject to change without notice.



# Replaces Roxy Reel Mower Parts

*Cutting Unit  
Reel & Bedknife*



Item No	R&R Part No.	OEM Part No.	Description	Qty Req	Order Quantity
28	<b>R47-7510</b>	2	Washer - Nylon	0	
29	<b>R3220-7</b>	4	Nut - 3/4-16 Jam Zinc	0	
30	<b>R3296-15</b>	2	Locknut - 3/4-16 Nylon Jam	0	
31	<b>R500534</b>	2	Bearing - with Cup	0	

All original equipment manufacturers names and part numbers are used for identification purposes only, and we are in no way implying that our products are original equipment parts. Prices subject to change without notice.