

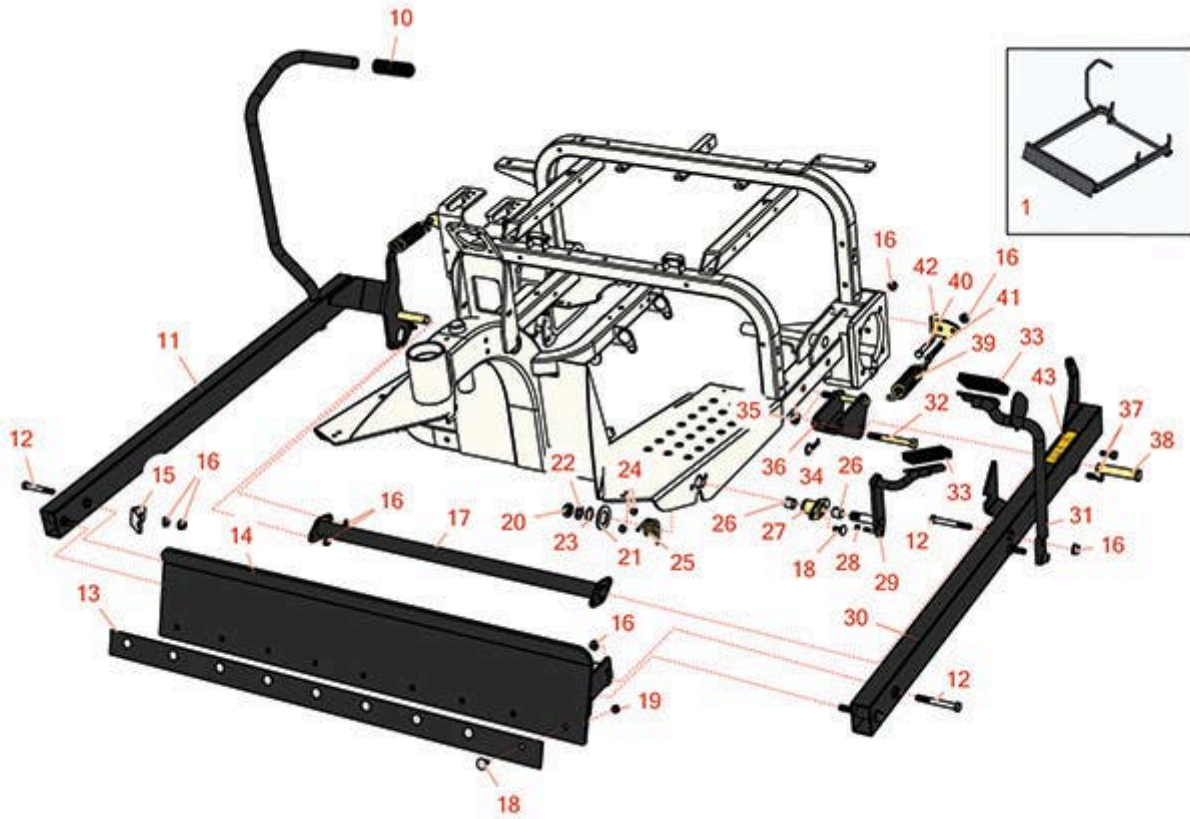


Replaces R&R Products Sand Max 518

Parts

Attachments

Manual Front Blade



All original equipment manufacturers names and part numbers are used for identification purposes only, and we are in no way implying that our products are original equipment parts. Prices subject to change without notice.



Replaces R&R Products Sand Max 518

Parts

Attachments

Manual Front Blade



Item No	R&R Part No.	OEM Part No.	Description	Qty Req	Order Quantity
---------	--------------	--------------	-------------	---------	----------------

Complete Blade Assembly

1	R08714		Front Manual Blade Attachment	0	
---	---------------	--	-------------------------------	---	--

*Detail Description: Uneven areas are easily leveled with the Manual Front Blade attachment. Designed with a spring-assisted steel blade to easily raise and lower, an additional foot lever to apply greater down pressure and a lock to secure in place.
Please note: Due to excessive air freight charges, this item will be shipped ground freight.:*

Other Parts Available

10	RP544		Grip -1 ID x 4.5 Long Black	1	
11	R112-7156-03		Lift Arm Assy - RH	1	
12	R323-14	323-14, R01-150-0840, R01-178-0624, R20-55-AD, R21-196-AMD, R30-8750, R30-8970, R3224-10	Bolt - Hex HD 3/8-16 x 3	6	
13	R108-5406-03		Plate - Wear	1	
14	R115-5642-03		Blade Assy	1	
15	R114-0644-03		Plate - Brace	2	
16	R3296-39	3296-39, R32127-25, R32128-36, R3296-17, R3296-22, R915663P, R99-7443	Locknut - 3/8-16 Nylon	16	
17	R108-5402-03		Torsion Tube Assy	1	
18	R3230-1	R01-173-0506, R3230-20, R900037P	Bolt - Carriage 5/16-18 x 3/4	11	

All original equipment manufacturers names and part numbers are used for identification purposes only, and we are in no way implying that our products are original equipment parts. Prices subject to change without notice.



Replaces R&R Products Sand Max 518

Parts

Attachments

Manual Front Blade



Item No	R&R Part No.	OEM Part No.	Description	Qty Req	Order Quantity
19	R3296-29	3296-29, R1-804256, R915662P	Locknut - 5/16-18 ESNA	9	
20	R3296-33	R444820, R445801	Locknut - 5/8-18 ESNA Jam	1	
21	R21-6540W	R64123-25	Washer - Grooved Rlr 2 OD x 1 ID	1	
22	R3256-69		Washer - Flat	1	
23	R6050-112	R3215-29, R32151-29	Ring - Retaining	1	
24	R3296-47		Locknut - 5/16-18 Jam Nyloc	2	
25	R108-5424		Spring - Torsion	1	
26	R256-311	R94-1388	Bushing-Split	2	
27	R108-5421		Plate Assy	1	
28	R3296-56		Nut - Lock - 1/4-20 ESNA Jam	1	
29	R108-5418-03		Lock Lever Assy	1	
30	R112-7157-03		Lift Arm Assy - LH	1	
31	R108-5429-03		Foot Pedal Assy	1	
32	R325-13	R01-178-0826, R20-94-AGD, R325-26, R7-3552	Bolt - Hex HD 1/2-13 x 3-1/4	4	
33	R74-9100		Rubber Foot Pad - Forward	2	
34	R460312	R30-8530, R3290-343, R460316	Pin - Hair Cotter	2	

All original equipment manufacturers names and part numbers are used for identification purposes only, and we are in no way implying that our products are original equipment parts. Prices subject to change without notice.



Replaces R&R Products Sand Max 518

Parts

Attachments

Manual Front Blade



Item No	R&R Part No.	OEM Part No.	Description	Qty Req	Order Quantity
35	R3296-25	R30-3380, R32127-21, R32127-31, R3290-160, R3290-33, R3296-13, R3296-45	Locknut - 1/2-13 Heavy ESNA	4	
36	R108-5427-03		Mount Assy	2	
37	R323-6	323-6, R01-150-0010, R01-178-0608, R20-47-AD, R20-47-AGD, R3224-2, R49-3510, R908034P, R908332	Bolt - Hex HD 3/8-16 x 1 GR5 YZ	6	
38	R108-2800		Pin - Clevis	2	
39	R108-5412		Spring - Extension	2	
40	R323-13	R01-150-1020, R01-178-0622, R20-54-AD, R20-54-AGD, R513366	Bolt - Hex HD 3/8-16 x 2-3/4 GR5	2	
41	R108-5413		Rod-Spring	2	
42	R108-5414		Bracket - Spring	2	
43	R93-9879		Decal - Warning	1	

All original equipment manufacturers names and part numbers are used for identification purposes only, and we are in no way implying that our products are original equipment parts. Prices subject to change without notice.