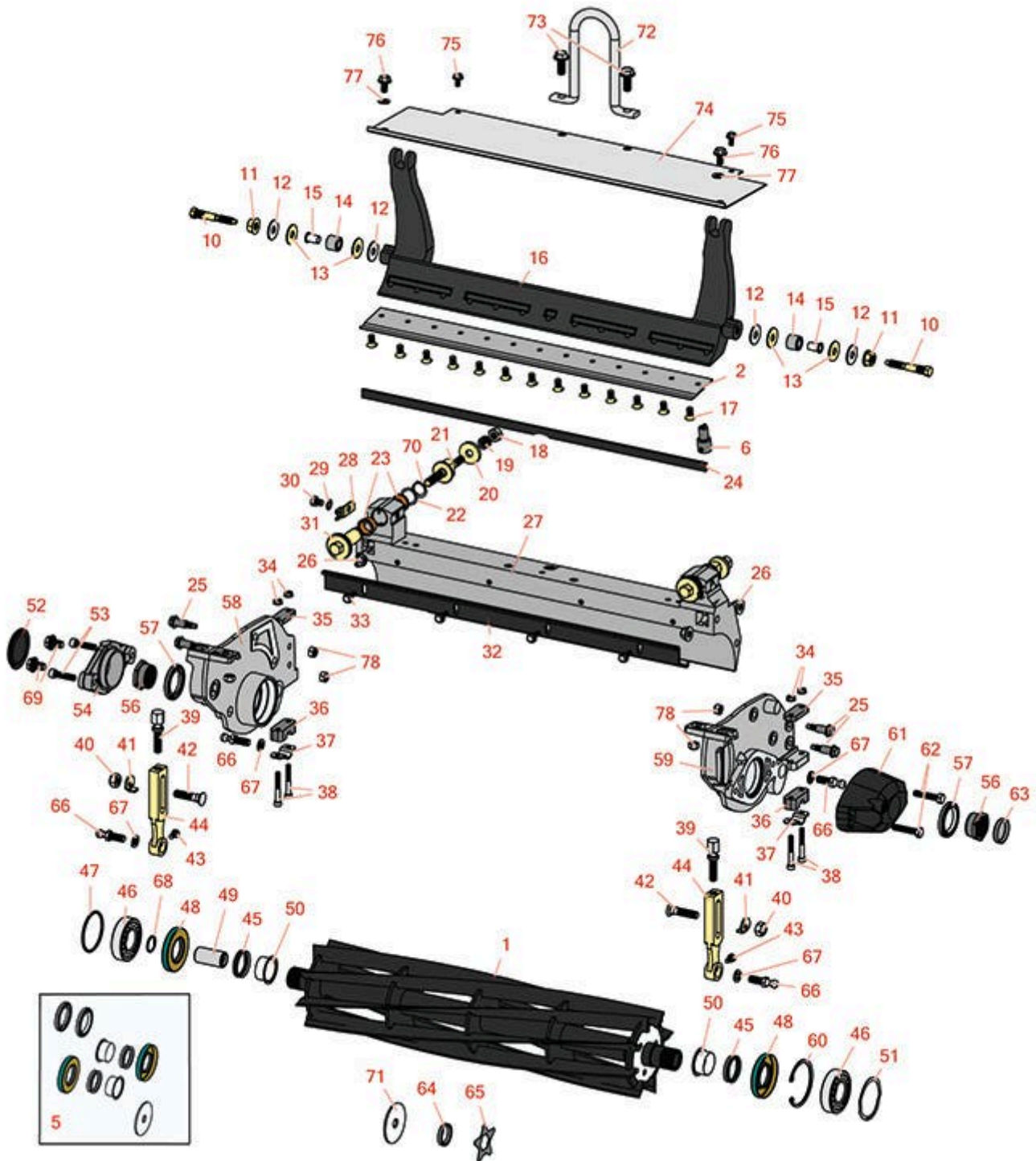




Replaces R&R Products Versa-Green

1860PS Parts

Dual Adjust Cutting Unit
Reel & Bedknife



All original equipment manufacturers names and part numbers are used for identification purposes only, and we are in no way implying that our products are original equipment parts. Prices subject to change without notice.



Replaces R&R Products Versa-Green

1860PS Parts

Dual Adjust Cutting Unit
Reel & Bedknife



Item No	R&R Part No.	OEM Part No.	Description	Qty Req	Order Quantity
---------	--------------	--------------	-------------	---------	----------------

R&R Reels, Lifetime Guaranteed

1	R115-5370	R150175	Reel - 14 Blade	1	
1	R150748		Reel - 14 Blade Razor Series Low Drag 21	1	
1	R105-5792		Reel - 11 Blade	1	
1	R105-5793		Reel - 8 Blade	1	

R&R Bedknives, Lifetime Guaranteed

2	R150466	R63-8600, R94-6393	Bedknife - Super Thick .312 - 1.00 HOC	1	
2	R94-6392	R57-4970, R62-2500	Bedknife - High Cut .312 - 1.00 HOC	1	
2	R93-4264	R57-4960, R63-8470	Bedknife - Low Cut .187 - 1.00 HOC	1	
2	R93-4262	R62-8250, R65-8250	Bedknife - Micro Cut .062 - .187 HOC	1	

R&R Razor Tool Steel Bedknives, Lifetime Guaranteed

2	R115-1881		Bedknife - Razor Tool Steel - 21 Tournament Cut .125 - .500 HOC	1	
---	------------------	--	--	---	--

Tech Note: Razor Tool Steel Bedknives are constructed from high grade tool steel for extended life and optimum cut.:

2	R115-1880		Bedknife - Razor Tool Steel - 21 Micro Cut .062 - .187 HOC	1	
---	------------------	--	---	---	--

Tech Note: Razor Tool Steel Bedknives are constructed from high grade tool steel for extended life and optimum cut.:

2	R150492		Bedknife - Razor Tool Steel - 21 Micro Cut Ext	1	
---	----------------	--	---	---	--

Tech Note: Razor Tool Steel Bedknives are constructed from high grade tool steel for extended life and optimum cut.:

All original equipment manufacturers names and part numbers are used for identification purposes only, and we are in no way implying that our products are original equipment parts. Prices subject to change without notice.



Replaces R&R Products Versa-Green

1860PS Parts

Dual Adjust Cutting Unit
Reel & Bedknife



Item No	R&R Part No.	OEM Part No.	Description	Qty Req	Order Quantity
---------	--------------	--------------	-------------	---------	----------------

Overhaul Kits

5	R106-6937		Kit - Reel Seal	1	
---	------------------	--	-----------------	---	--

Tech Note: Includes: 2 ea: R106-6927 Sleeve, R106-6926 Inner Seal, R253-134 Outer Seal, R106-6929 V-Ring; & 1 ea: R104-0532 Washer:

Service Tools

6	R51-0880		Bedknife Screw Driver Tool	0	
---	-----------------	--	----------------------------	---	--

Other Parts Available

10	R65-6270	R119-4050	Bolt - Bed Bar	2	
----	-----------------	-----------	----------------	---	--

11	R32128-48		Locknut - 7/16-20 Flanged	2	
----	------------------	--	---------------------------	---	--

12	R52-2860	R119-4150	Washer - Bed Bar Pivot	4	
----	-----------------	-----------	------------------------	---	--

13	R52-2900		Washer - Nylon	4	
----	-----------------	--	----------------	---	--

14	R63-9510	R63-9480	Bushing - Rubber For Bed Bar	2	
----	-----------------	----------	------------------------------	---	--

15	R52-2890		Bushing - Flanged	2	
----	-----------------	--	-------------------	---	--

16	R106-2648-01		Bed Bar	1	
----	---------------------	--	---------	---	--

16	R150176		Bed Bar - Fits R&R Units Only	1	
----	----------------	--	-------------------------------	---	--

17	R150476	R170476, R3-3816, R52-4910, R57-4910	Screw - Bedknife 5/16-18 x 5/8	13	
----	----------------	---	--------------------------------	----	--

17	R119-4151		Screw - Bedknife 5/16-18 x 17/32	13	
----	------------------	--	----------------------------------	----	--

18	R33025-00		Locknut - 10mm x 1.5 Jam	2	
----	------------------	--	--------------------------	---	--

19	R99-3755		Spring - Bed Bar Adjusting	2	
----	-----------------	--	----------------------------	---	--

20	R99-2098		Washer - Bed Bar Adjuster	2	
----	-----------------	--	---------------------------	---	--

All original equipment manufacturers names and part numbers are used for identification purposes only, and we are in no way implying that our products are original equipment parts. Prices subject to change without notice.



Replaces R&R Products Versa-Green

1860PS Parts

*Dual Adjust Cutting Unit
Reel & Bedknife*



Item No	R&R Part No.	OEM Part No.	Description	Qty Req	Order Quantity
21	R99-2096		Screw - Bed Bar Adjustment - M10 Thrd 1 End	2	
22	R106-5335		Wave Washer - Reel Adjusting	2	
23	R106-5344		Bushing - Flanged and Keyed	4	
24	R106-2619		Seal - Strip	1	
25	R105-5774		Bolt - Shoulder	4	
26	R98-0668		Nut - Whiz Lock	4	
27	R119-9303	R105-5799	Frame - Crossmember	1	
28	R99-2097		Detent - Bed Bar Adjuster	2	
29	R3255-8		Washer - Lock 5/16 Ext	2	
30	R33114-010		Bolt - Hex HD M8-1.25 x 10	2	
31	R106-6921	R106-5334, R114-4634	Shaft - Bed Bar Adjustment Assy	2	
31	R106-5363		Shaft - Adjusting - Bed Bar - Stainless	2	
32	R106-6924-03	R106-2617-03	Cut-Off Bar	1	
33	R110-3986	R48-8870, R56-6380	Screw - M6 x 1.0 x 20mm	4	
34	R33003-00	R65-7980	Hex Nut - Flanged 6-1.0mm	4	
35	R105-5711	R119-4165	Shim - Roller	2	
36	R105-5710	R119-4166	Spacer - Roller	2	
37	R105-5712	R119-4157	Retainer - Roller	2	
38	R106-2603		Bolt - Shoulder M6-1.0 x 45	4	
39	R106-2635		Screw - HOC 2-7/16	2	

All original equipment manufacturers names and part numbers are used for identification purposes only, and we are in no way implying that our products are original equipment parts. Prices subject to change without notice.



Replaces R&R Products Versa-Green

1860PS Parts

*Dual Adjust Cutting Unit
Reel & Bedknife*



Item No	R&R Part No.	OEM Part No.	Description	Qty Req	Order Quantity
39	R110-7352		Screw - HOC 2 5/8 Stainless	2	
40	R106-4668		Locknut - 10mm x 1.5 Top Lock	2	
41	R104-2603	R119-4158	Washer - HOC Bracket	2	
42	R150647	R105-5342	Plow Bolt - HOC - Front Roller	2	
43	R48-7610	R33113-012	Bolt - Hex HD Nyloc M6 x 12	2	
44	R99-3781		Bracket - Front Roller 5 Oal	2	
44	R107-3502		Bracket - Front Roller 5-1/4 Oal	2	
44	R110-7351		Bracket - High HOC - 5 1/4	2	
45	R106-6929		V-Ring - Reel	2	
46	R93-2489		Bearing - Reel	2	
47	R106-2607		O-Ring - Reel	1	
48	R106-6926		Inner Seal - Reel	2	
49	R94-4507		Coupling - Reel	1	
50	R106-6927		Speedi-Sleeve - Reel	2	
51	R105-5700	R115-5258	Wave Washer - Bearing	1	
52	R150485	R2410-30	Cap - Protective Bearing Housing	1	
53	R94-3559		Screw - Hex Socket Head	2	
54	R104-9447		Adapter - Motor	1	
56	R105-5706		Locknut - Reel	2	
57	R253-134		Outer Seal	2	
58	R105-5797G		Side Plate - RH - Fits R&R Units Only	1	
59	R105-5795G		Side Plate - LH - Fits R&R Units Only	1	

All original equipment manufacturers names and part numbers are used for identification purposes only, and we are in no way implying that our products are original equipment parts. Prices subject to change without notice.



Replaces R&R Products Versa-Green

1860PS Parts

*Dual Adjust Cutting Unit
Reel & Bedknife*



Item No	R&R Part No.	OEM Part No.	Description	Qty Req	Order Quantity
60	R106-6914	RSG427541	Snap Ring - Internal	1	
61	R105-5709		Weight	1	
62	R33114-040	R42-9530	Screw - Hh M8-1.25 x 40 CL8.8	2	
63	R105-5708	R121-4609	Plug - Expansion	1	
64	R70-1350		Spacer - 1/4 Fits Groomer Shaft	84	
65	R95-5719		Blade - Groomer	41	
66	R94-2958	R2411-7	Stud - Alloy Ball Joint	2	
67	R3254-6	446142, R01-166-0010, R01-166-0280, R01-166-0610, R12H304, R3253-5, R3254-18, R3290-223, R446140, R446142, R48-9370	Washer - Lock 3/8	2	
68	R105-5775		Retaining Ring - Reel Coupling	1	
69	R106-2633		Bolt - Hex Washer M10-1.5 x 16	2	
70	R32120-93		Snap Ring - HD	2	
71	R104-0532		Washer - Pulley	1	
72	R105-5740		Hook - Lift	1	
73	R33115-025	R48-7780	Bolt - Hex HD M10-1.5 x 25	2	
74	R106-2600G		Grass Shield	1	
75	R104-2628		Bolt - Hex Washer M6-1.0 x 12	2	

All original equipment manufacturers names and part numbers are used for identification purposes only, and we are in no way implying that our products are original equipment parts. Prices subject to change without notice.



Replaces R&R Products Versa-Green

1860PS Parts

*Dual Adjust Cutting Unit
Reel & Bedknife*



Item No	R&R Part No.	OEM Part No.	Description	Qty Req	Order Quantity
76	R33114-016	R19M7162, R42-9230, R42-9270, R48-7690, R48-7700	Bolt - Hx HD 8mm x 1.25 x 15	2	
77	R453009	3256-3, R01-166-0400, R24-10-BD, R24-9-AD, R24H1136, R32-9650, R3256-2, R3256-23, R3256-67, R3290-217, R3556-3, R4-2390, R452006, R7-0152	Washer - Flat 5/16 SAE	2	
78	R33024-00		Locknut - 8mm x 1.25	4	

All original equipment manufacturers names and part numbers are used for identification purposes only, and we are in no way implying that our products are original equipment parts. Prices subject to change without notice.