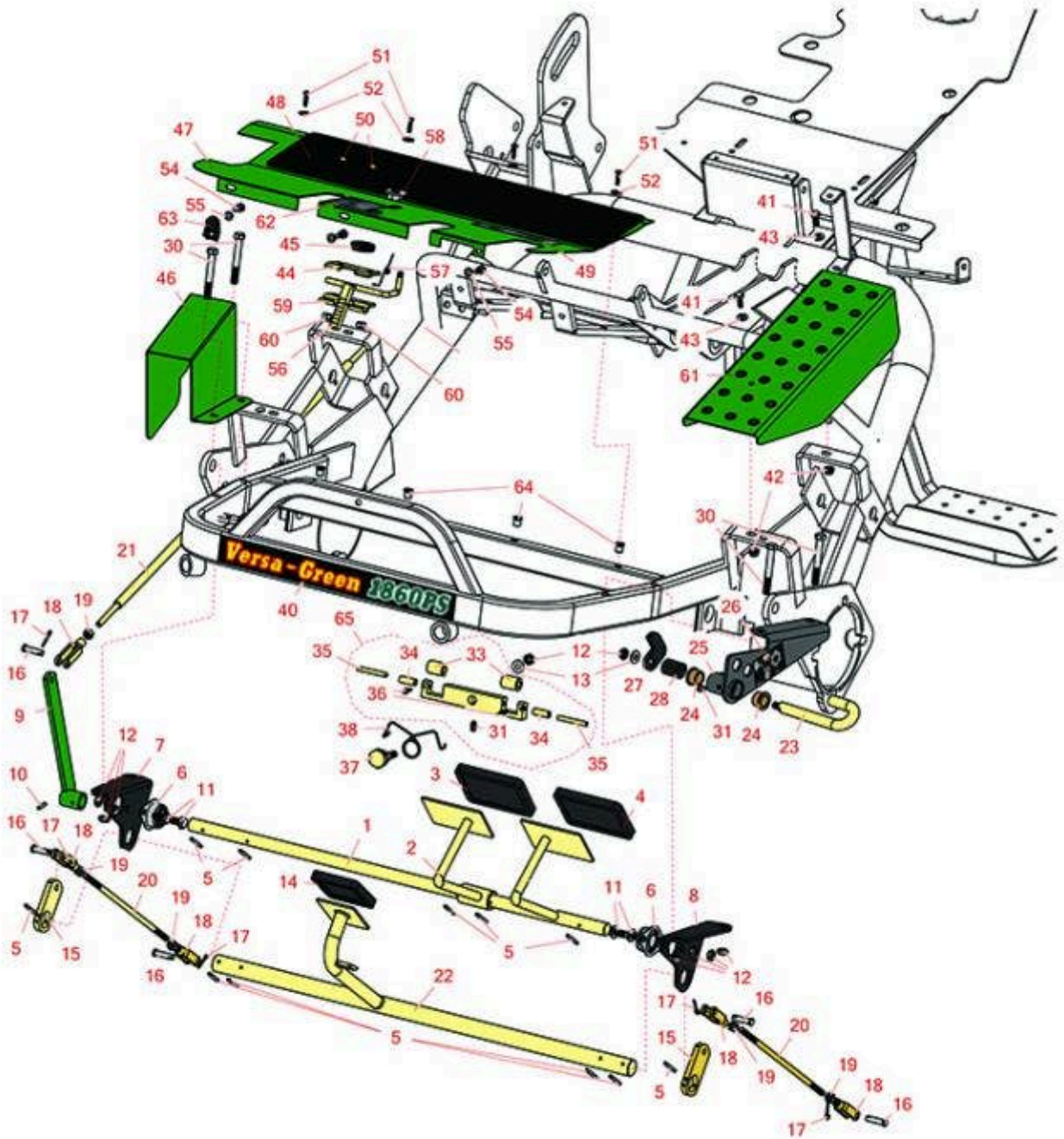




# Replaces R&R Products Versa-Green 1860PS Parts Control Pedal



All original equipment manufacturers names and part numbers are used for identification purposes only, and we are in no way implying that our products are original equipment parts. Prices subject to change without notice.



# Replaces R&R Products Versa-Green 1860PS Parts

*Control Pedal*



Item No	R&R Part No.	OEM Part No.	Description	Qty Req	Order Quantity
1	<b>R150289</b>		Shaft - Cutting Control Assy	1	
2	<b>R106-6394</b>	R83-0140	Mow Pedal Assy	1	
3	<b>R93-7630</b>		Rubber Foot Pad - Mow	1	
4	<b>R93-7631</b>		Rubber Foot Pad - Lift	1	
5	<b>R32121-35</b>		Pin - Spring Roll 5/32 x 1-1/2	8	
6	<b>R27-2320</b>		Bearing	2	
7	<b>R88-9630G</b>		Bracket - Black	1	
8	<b>R88-9640G</b>		Bracket - Black	1	
9	<b>R49-6200</b>		Cutting Lever - Green	1	
10	<b>R32121-6</b>		Pin - Roll 3/16 x 1-1/4	1	
11	<b>R3234-1</b>		Bolt - Flanged Serrated Hex HD 3/8-16 x 3/4	4	
12	<b>R3296-59</b>		Locknut - 3/8-16 Nylon Jam	8	

All original equipment manufacturers names and part numbers are used for identification purposes only, and we are in no way implying that our products are original equipment parts. Prices subject to change without notice.



# Replaces R&R Products Versa-Green 1860PS Parts *Control Pedal*



Item No	R&R Part No.	OEM Part No.	Description	Qty Req	Order Quantity
13	<b>R453011</b>	3256-24, 453011, R01-166-0100, R01-166-0120, R01-166-0270, R01-166-0500, R01-166-0600, R01-166-0620, R132-4593, R237-12, R24-10-AD, R24-11-AD, R24-11-BD, R24-12-AD, R24-12-BD, R30-9310, R32-8190, R3256-24, R3256-3, R3256-36, R3256-4, R47-9950	Washer - Flat 3/8 SAE Y/Zinc	1	
14	<b>R93-7629</b>	R27-7570, R27-7580, R49-6170, R93-8743	Rubber Foot Pad - Brake	1	
15	<b>R10-8100-01</b>	R10-8100, R112-9180	Strap - Shaft	2	
16	<b>R283-61</b>	R86-2140	Pin - Clevis 5/16 x 1-1/8	5	
17	<b>R11M7012</b>		Pin - Cotter 1/8 x 5/8	5	
18	<b>R282-2</b>	R1-303105	Yoke	5	
19	<b>R3220-2</b>	R01-191-0524	Nut - Jam - 5/16-24	5	
20	<b>R27-2270</b>		Rod - Adjustment	2	
21	<b>R49-5430</b>		Control Rod - Cutting Lever	1	
22	<b>R83-0160</b>		Shaft - Brake Assy	1	

All original equipment manufacturers names and part numbers are used for identification purposes only, and we are in no way implying that our products are original equipment parts. Prices subject to change without notice.



# Replaces R&R Products Versa-Green 1860PS Parts *Control Pedal*



Item No	R&R Part No.	OEM Part No.	Description	Qty Req	Order Quantity
23	<b>R93-9903</b>		Pin - Mow Lockout	1	
24	<b>R3-1506</b>	R256-287, R3709088, R4-4550, R75-2160, R9329	Bushing - Bronze	2	
25	<b>R93-9901G</b>		Lockout Bracket - Black	1	
26	<b>R93-9898</b>		Decal - Lock	1	
27	<b>R93-9904</b>		Mow Arm - Lockout	1	
28	<b>R76-0410</b>		Spring - Compression - Lockout Pin	1	
30	<b>R323-13</b>	R01-150-1020, R01-178-0622, R20-54-AD, R20-54-AGD, R513366	Bolt - Hex HD 3/8-16 x 2-3/4 GR5	4	
31	<b>R302-5</b>	R173-0, R21-6010, R255825, R302-37, R302-47, R302-57, R302-58, R302-6, R31-0300, R32-9660, R471214, R471223, R471226, R60-0800, R62-3880, R92-4181, RJD7797, RJD7842, RJD7844, RM0004	Fitting - Grease	2	
33	<b>R150274</b>		Roller Assy - Lift Pivot	2	
34	<b>R150275</b>		Bushing - Bronze	2	

All original equipment manufacturers names and part numbers are used for identification purposes only, and we are in no way implying that our products are original equipment parts. Prices subject to change without notice.



# Replaces R&R Products Versa-Green 1860PS Parts *Control Pedal*



Item No	R&R Part No.	OEM Part No.	Description	Qty Req	Order Quantity
35	<b>R150276</b>		Pin - Dowell - Removable	2	
36	<b>R150425</b>		Bolt - Hex HD 8-32 x 5/8	2	
37	<b>R83-2590</b>		Bolt - Shoulder Eccentric	1	
38	<b>R83-0080</b>		Spring - Pivot - Lift	1	
40	<b>R150597</b>		Decal - R&R Versa-Green 1860PS	1	
41	<b>R321-4</b>	400108, R01-150-1030, R01-178-0406, R20-3-AGD, R3222-1, R400108	Bolt - Hex HD 1/4-20 x 3/4	2	
42	<b>R32128-33</b>		Nut - 1/4-20 Flanged Serr	2	
43	<b>R3256-22</b>	R09061, R24-9-BD, R3-1032, R93-0954, R93-0989	Washer - Flat 1/4 Yellow	2	
44	<b>R10-7880</b>		Hinge - Upper	1	
45	<b>R150284</b>		Rubber Grommet	1	
46	<b>R49-6110G</b>		Rod Guard - Green	1	
47	<b>R83-0640G</b>		Footrest Plate - Green	1	
48	<b>R49-6120</b>	R10-8210	Pad - Anti-Skid Foot Rest	1	
49	<b>R93-8075</b>		Decal - Mow/Lift	1	
50	<b>R3229-11</b>	R3229-22, R518304	Bolt - Carriage 1/4-20 x 5/8	2	
51	<b>R3274-31</b>	R3274-68, R46-8560	Screw - Button HD Soc CS 1/4-20 x 5/8	4	

All original equipment manufacturers names and part numbers are used for identification purposes only, and we are in no way implying that our products are original equipment parts. Prices subject to change without notice.



# Replaces R&R Products Versa-Green 1860PS Parts *Control Pedal*



Item No	R&R Part No.	OEM Part No.	Description	Qty Req	Order Quantity
52	<b>R453023</b>	R3256-1, R3256-72	Washer - Flat 1/4	4	
54	<b>R400106</b>	R321-3, R513315, R908002P	Bolt - Hex HD 1/4-20 x 5/8	3	
55	<b>R3253-3</b>	446130, R01-166-0070, R01-166-0410, R23-9-GD, R24-7150, R352-167, R446128, R446130	Washer - Lock 1/4	3	
56	<b>R10-7850</b>		Parking Latch - Brake	1	
57	<b>R10-8140</b>	R10-8410	Spring - Torsion - Brake Latch	1	
58	<b>R32141-111</b>		Nut - Special HF Flanged	1	
59	<b>R10-7890</b>		Hinge - Lower	1	
60	<b>R301504</b>	R32127-24, R32146-17, R3296-16, R3296-42, R915661P, RM40333	Locknut - ESNA 1/4-20	2	
61	<b>R83-0200G</b>		Cover Plate - LH - Green	1	
62	<b>R93-8062</b>		Decal - Parking Brake	1	
63	<b>R150277</b>		Mount - Wiring Harness - Heavy Duty	1	
64	<b>R95-5981TS</b>		Thread-Sert 1/4-20	7	
65	<b>R150273</b>	R83-0060	Lift - Pivot Assy	1	

All original equipment manufacturers names and part numbers are used for identification purposes only, and we are in no way implying that our products are original equipment parts. Prices subject to change without notice.