

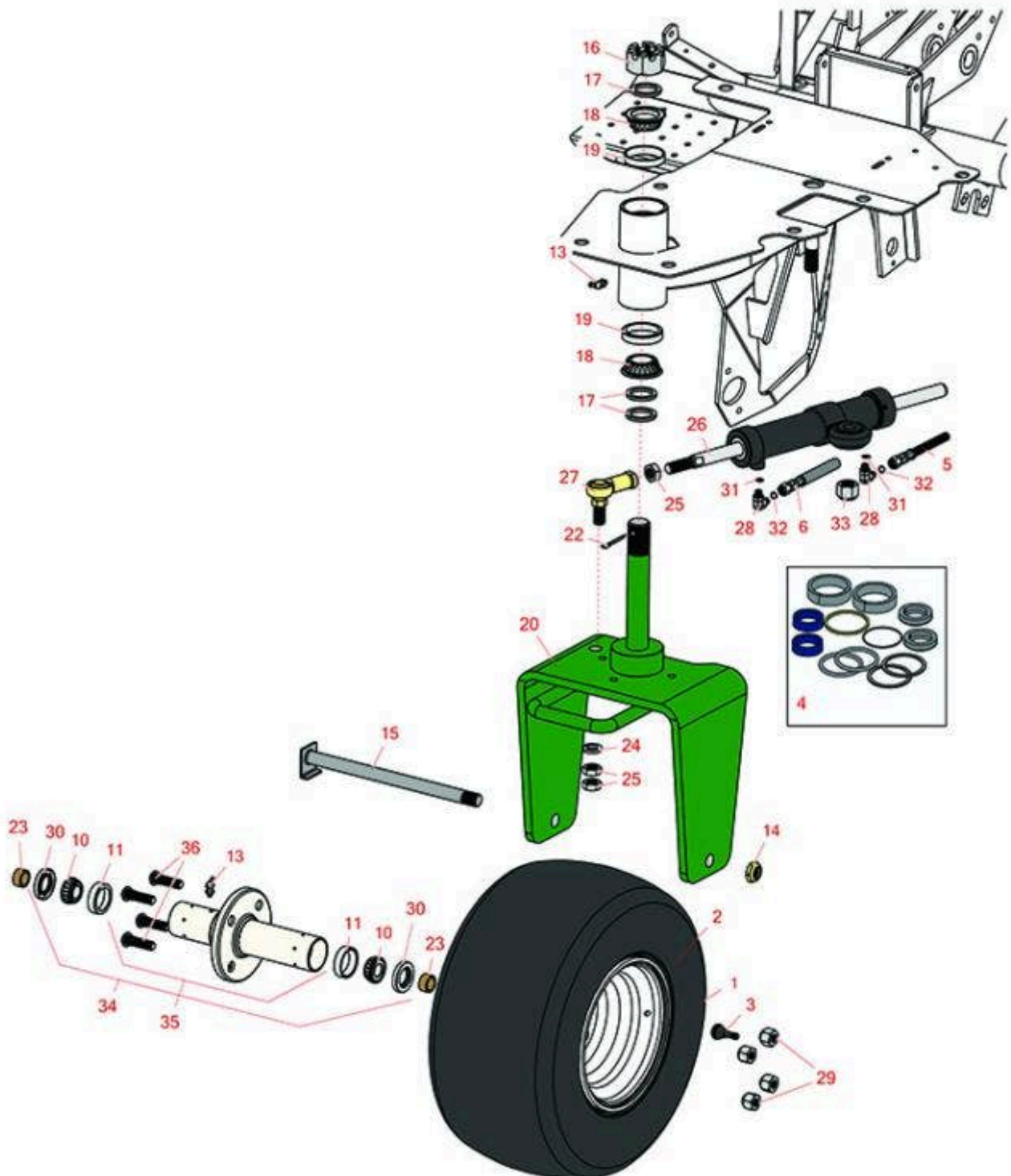


# Replaces R&R Products Versa-Green

## 1860PS Parts

Traction Unit

Rear Wheel



All original equipment manufacturers names and part numbers are used for identification purposes only, and we are in no way implying that our products are original equipment parts. Prices subject to change without notice.



# Replaces R&R Products Versa-Green 1860PS Parts

*Traction Unit  
Rear Wheel*



Item No	R&R Part No.	OEM Part No.	Description	Qty Req	Order Quantity
---------	--------------	--------------	-------------	---------	----------------

## *Tires*

1	<b>R150314</b>	R150320	Tire w/Wheel - 18x9.50-8 (2 Ply) Carlisle Smooth	1	
2	<b>R700141</b>	R232-37, R232-47, R700131	Tube - 18x6.50/7.50/8.50/9.50-8 TR13	2	
3	<b>R232-27</b>	R232-31, R360111	Stem - Valve w/ Cap	4	

## *Overhaul Kits*

4	<b>R83-2380</b>		Seal Kit - Fits R105-0411 Steering Cyl	1	
---	-----------------	--	--	---	--

## *Hoses*

5	<b>R150635</b>		Hydraulic Hose Assy - Steering Cylinder	1	
6	<b>R150636</b>		Hydraulic Hose Assy - Steering Cylinder	1	

## *Other Parts Available*

10	<b>R254-78</b>	R01-102-0060, R01-102-0130, R255815, R32-7790, R32-9580, R385174, R4121174, R4135152, R70030-50302, R93-4813, RB4512, RG-373, RJD8188	Tapered Bearing Cone	2	
----	----------------	---	----------------------	---	--

All original equipment manufacturers names and part numbers are used for identification purposes only, and we are in no way implying that our products are original equipment parts. Prices subject to change without notice.



# Replaces R&R Products Versa-Green 1860PS Parts

Traction Unit  
Rear Wheel



Item No	R&R Part No.	OEM Part No.	Description	Qty Req	Order Quantity
11	<b>R254-79</b>	R01-103-0060, R01-103-0130, R1-633584, R252-106, R255820, R32-7800, R32-9590, R4121175, R70030-50301, R808088, RB4015, RG-372, RJD8226	Cup - Bearing	2	
<i>Tech Note: Use R254-79M installation mandrel to properly install race.:</i>					
13	<b>R700414</b>	R302-11, R302-4, R32-8170	Zerk - Grease 1/4-28 45 Deg	3	
14	<b>R3296-15</b>	367029, R1503473, R32118-5, R32127-23, R32127-47, R367029, R445748, RG-371, RN101345	Locknut - 3/4-16 Nylon Jam	1	
15	<b>R5-3934</b>		Bolt - Steering Caster Fork	1	
16	<b>R32136-9</b>		Nut - 1-1/4-12 Slotted	1	
17	<b>R18-6320</b>		Washer - Steering Fork	3	
18	<b>R254-70</b>	R115-9472	Tapered Bearing Cone - w/Seal	2	
19	<b>R254-61</b>	R01-103-0090, R115-9471, R254-69, R32-8140, R92-0611, R93-4850	Cup	2	
20	<b>R95-5952G</b>		Caster Fork - Green	1	

All original equipment manufacturers names and part numbers are used for identification purposes only, and we are in no way implying that our products are original equipment parts. Prices subject to change without notice.



# Replaces R&R Products Versa-Green 1860PS Parts

*Traction Unit  
Rear Wheel*



Item No	R&R Part No.	OEM Part No.	Description	Qty Req	Order Quantity
22	<b>R3272-37</b>		Pin - Cotter 1/4 x 2-1/2	1	
23	<b>R74-3730</b>	R217-96	Spacer	2	
24	<b>RF104</b>	R01-166-0020, R01-166-1010, R23-15-GD, R30-8480, R3253-8, R48-9400	Washer - Lock 5/8	1	
25	<b>R443828</b>	R01-191-1018, R3220-6, R915089P	Nut - 5/8-18 Hex	3	
26	<b>R150287</b>	R83-2330, R83-2340	Hydraulic Cylinder - Steering	1	
27	<b>R150288</b>		Rod End Assy - Steering Cylinder	0	
28	<b>R340-132</b>		Hydraulic Fitting - 90 Deg	1	
29	<b>R242-50</b>		Nut - 1/2-20 Wheel	1	
30	<b>R253-111</b>	R253-108, RE1029	Seal	2	
31	<b>R237-22</b>	R107-8844, R232-72, R237-78	O-Ring	2	
32	<b>R237-21</b>		O-Ring	2	
33	<b>RF102</b>	R01-188-1210, R01-192-0290, R3217-12	Locknut - 3/4-10 ESNA L/Nut	1	
34	<b>R72-9710</b>		Hub Assy - Rear Tire	1	
35	<b>R75-9440</b>	R217-95	Hub - Rear Wheel - Incl Wheel Studs	1	
36	<b>R10-6830</b>		Stud - Wheel 1/2-20 x 1 3/4	4	

All original equipment manufacturers names and part numbers are used for identification purposes only, and we are in no way implying that our products are original equipment parts. Prices subject to change without notice.