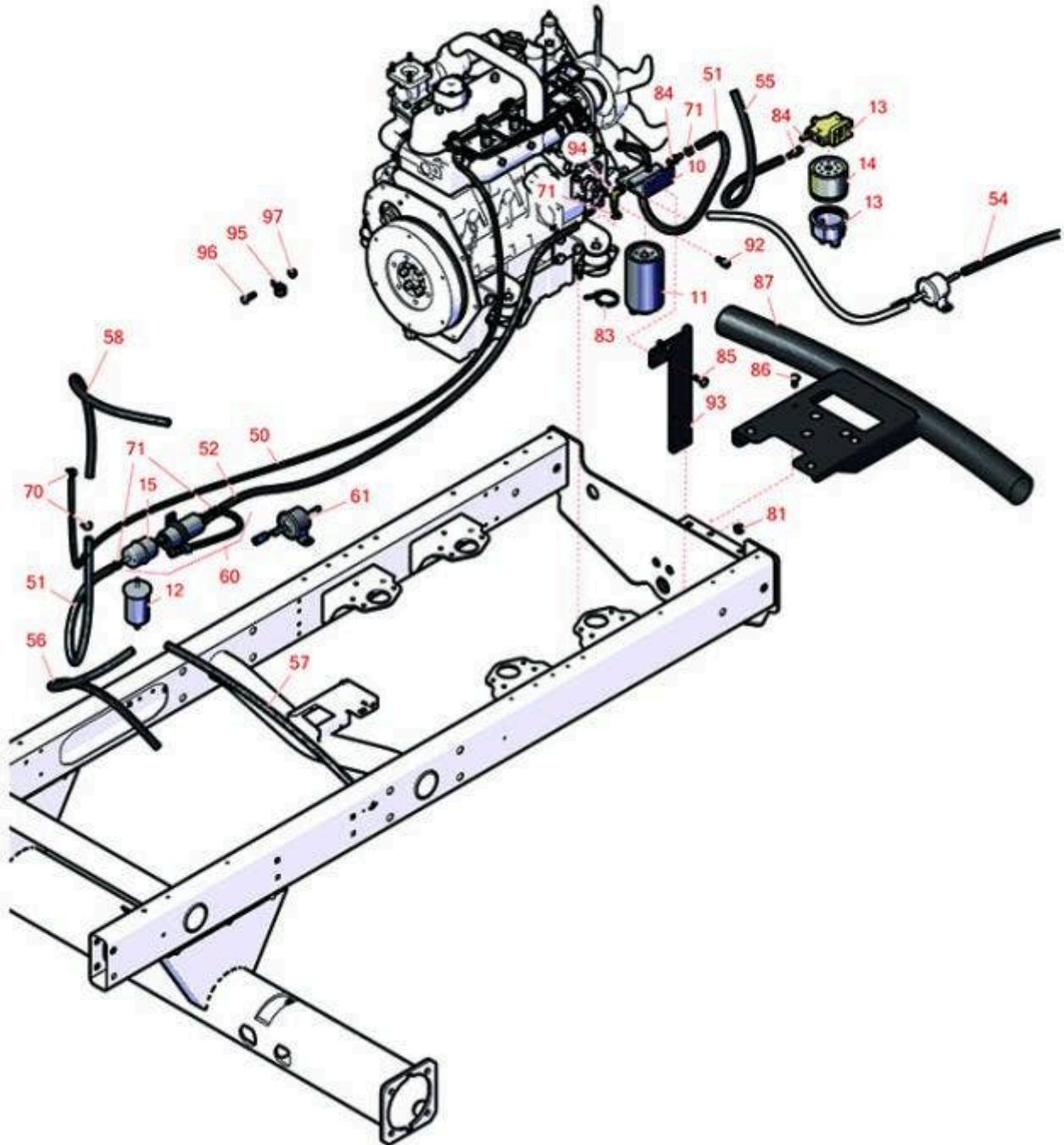




# Replaces Toro Reelmaster 5410-D Parts

Traction Unit  
Fuel System & Tank



All original equipment manufacturers names and part numbers are used for identification purposes only, and we are in no way implying that our products are original equipment parts. Prices subject to change without notice.



# Replaces Toro Reelmaster 5410-D Parts

*Traction Unit  
Fuel System & Tank*



Item No	R&R Part No.	OEM Part No.	Description	Qty Req	Order Quantity
<b>Filters</b>					
10	<b>R110-9044</b>	110-9044, 125-2914	Donaldson Water/Fuel Separator Assy	1	
11	<b>R110-9049</b>	110-9049	Donaldson Fuel Filter - Spin On	1	
11	<b>R125-8752</b>	125-8752	Filter - Fuel/Oil Donaldson	1	
11	<b>RRF10536</b>	125-2915	SilverGuard Filter - Fuel/Water	1	
12	<b>RX1258143012</b>	108-3828, 98-7612	Kubota Fuel Filter	1	
13	<b>R98-9305</b>	98-9305	Water/Fuel Separator Assy	1	
14	<b>R98-9764</b>	98-9764	Element - Water Fuel Separator	1	
15	<b>R112-7836</b>	112-7836, RR ONLY	Baldwin Fuel Filter - in Line	1	
15	<b>RRF10534</b>	112-7836, RR ONLY, RRONLY	SilverGuard Fuel Filter - Inline	1	
<b>Hoses</b>					
50	<b>R110-9011</b>	100-6588, 110-5688, 110-9011, 43-4230	Hose-Fuel	1	
51	<b>R110-3257</b>	110-3257, 63-7630	Hose-Fuel	1	
52	<b>R110-3259</b>	110-3259	Hose-Fuel	1	
54	<b>R109-0309</b>	109-0309	Hose-Fuel	1	
55	<b>R110-4107</b>	109-0278, 110-4107	Hose-Fuel	1	
56	<b>R117-0298</b>	117-0298, 125-8808	Hose-Fuel	1	

All original equipment manufacturers names and part numbers are used for identification purposes only, and we are in no way implying that our products are original equipment parts. Prices subject to change without notice.



# Replaces Toro Reelmaster 5410-D Parts

*Traction Unit  
Fuel System & Tank*



Item No	R&R Part No.	OEM Part No.	Description	Qty Req	Order Quantity
57	<b>R109-0308</b>	109-0308	Fuel Hose	1	
58	<b>R108-3284</b>	108-3284, 93-3949	Hose - Fuel	1	
<b>Gauges and Controls</b>					
60	<b>R110-8806</b>	110-8806	Fuel Pump and Filter Assy	1	
61	<b>RXRC60151350</b>	104-5215, 107-0122, 112-8400, 99-3464	Kubota Fuel Pump - Electric	1	
61	<b>R121-5613</b>	121-5613, 127-3008, 145-3160	Fuel Pump - Electric	1	
<b>Other Parts Available</b>					
70	<b>R2412-146</b>	2412-146, 2412-80	Hose Clamp	2	
71	<b>R92-2379</b>	92-2379	Clamp - Hose	9	
81	<b>R104-8301</b>	104-8301, 104-9301, 109-6658, 133-7570	Locknut - 3/8-16 Nylon Flanged	8	
83	<b>R3290-378</b>	30-1740, 3290-378, 52-6570, 60-4340	Cable Tie	10	
84	<b>R353-783</b>	353-783	Fitting - Straight	4	
85	<b>R3230-22</b>	3230-22, R3230-22	Bolt - Carriage 5/16-18 x 1	2	
86	<b>R3231-21</b>	3231-21	Screw - 3/8-16 x 3/4 Carriage	4	
87	<b>R110-8951-03</b>	110-8951-03	Bumper Assy	1	

All original equipment manufacturers names and part numbers are used for identification purposes only, and we are in no way implying that our products are original equipment parts. Prices subject to change without notice.



# Replaces Toro Reelmaster 5410-D Parts

*Traction Unit  
Fuel System & Tank*



Item No	R&R Part No.	OEM Part No.	Description	Qty Req	Order Quantity
92	<b>R98-9311</b>	98-9311	Swivel-Throttle	1	
93	<b>R110-8968-01</b>	110-8968-01	Mount - Water Separator	1	
94	<b>R353-781</b>	353-781	Fitting-Elbow	2	
95	<b>R2412-41</b>	2412-41	Clamp	1	
96	<b>R322-5</b>	01-178-0508, 20-26-AD, 20-26-AGD, 30-9000, 322-5, 513341, 519755, 908019P, N/A	Bolt - Hex HD 5/16-18 x 1	1	
97	<b>R104-8300</b>	104-8300, 104-8300 , 119-4041	Locknut - 5/16-18 Flanged Y/Zinc	3	

All original equipment manufacturers names and part numbers are used for identification purposes only, and we are in no way implying that our products are original equipment parts. Prices subject to change without notice.